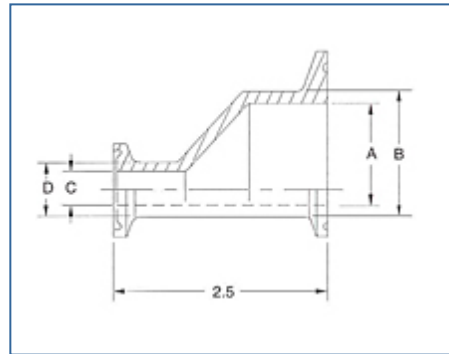


Sani-Tech® Eccentric Reducer

- Sanitary Reducing Connector, Eccentric for improved drainability
- Sizes: 3/4", 1", 1-1/2", 2", 2-1/2" and 3"
- Available in polypropylene or PVDF materials



Item #	Size	A	B	C	D	Material	CAD
TER100-075	MINI x MAXI	0.856 in	1.106 in	0.560 in	0.75 in	Polypropylene	
TER150-075	MINI x 1 1/2	1.356 in	1.606 in	0.560 in	0.75 in	Polypropylene	
TER150-100	MAXI x 1 1/2	1.356 in	1.606 in	0.856 in	1.106 in	Polypropylene	
KER100-075	MINI x MAXI	0.856 in	1.106 in	0.560 in	0.75 in	PVDF	
KER150-075	MINI x 1 1/2	1.356 in	1.606 in	0.560 in	0.75 in	PVDF	
KER150-100	MAXI x 1 1/2	1.356 in	1.606 in	0.856 in	1.106 in	PVDF	